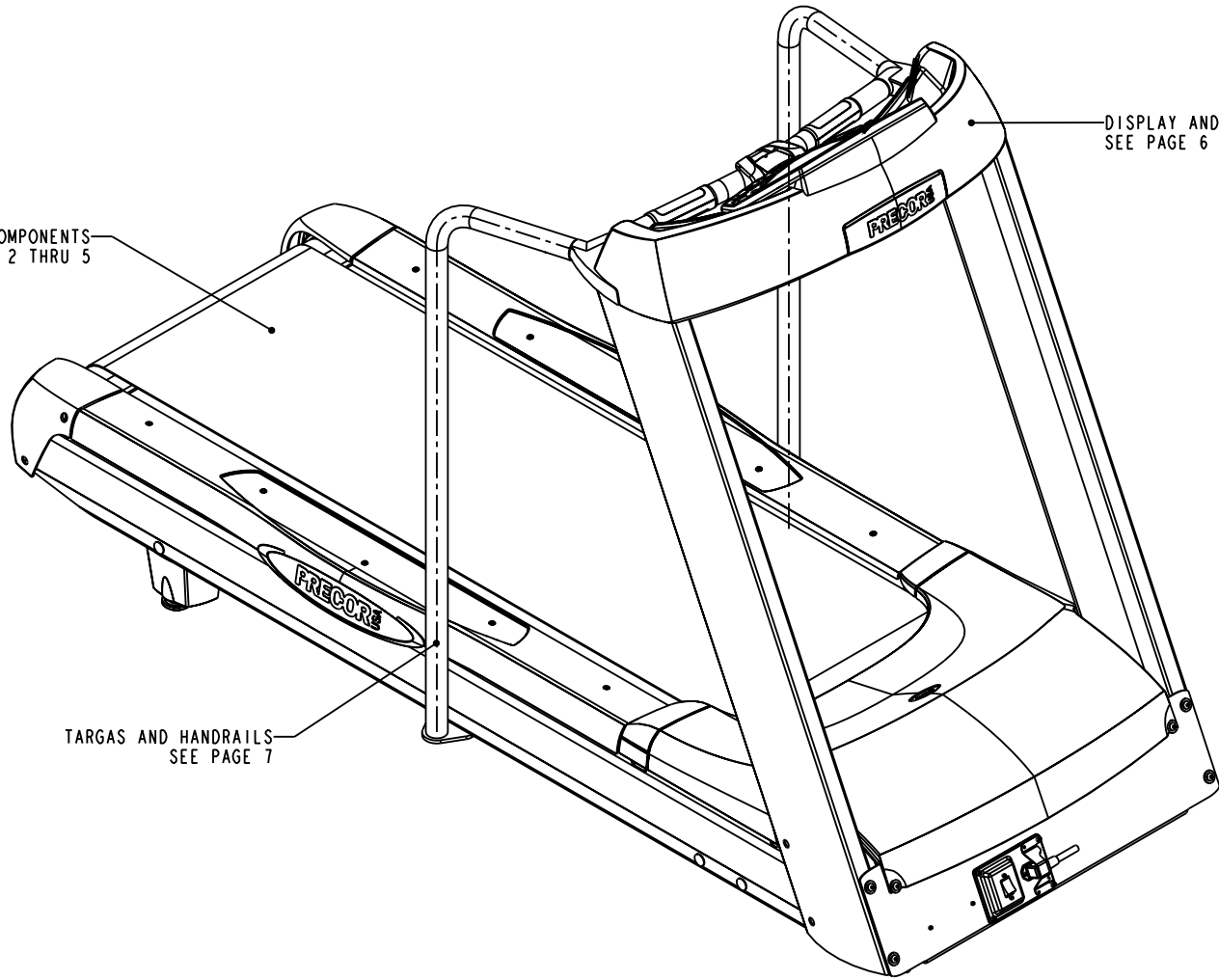


LOWER TREADMILL COMPONENTS
SEE PAGES 2 THRU 5

TARGAS AND HANDRAILS
SEE PAGE 7

DISPLAY AND CONSOLE COMPONENTS
SEE PAGE 6



TREADMILL ASSEMBLY, C966i

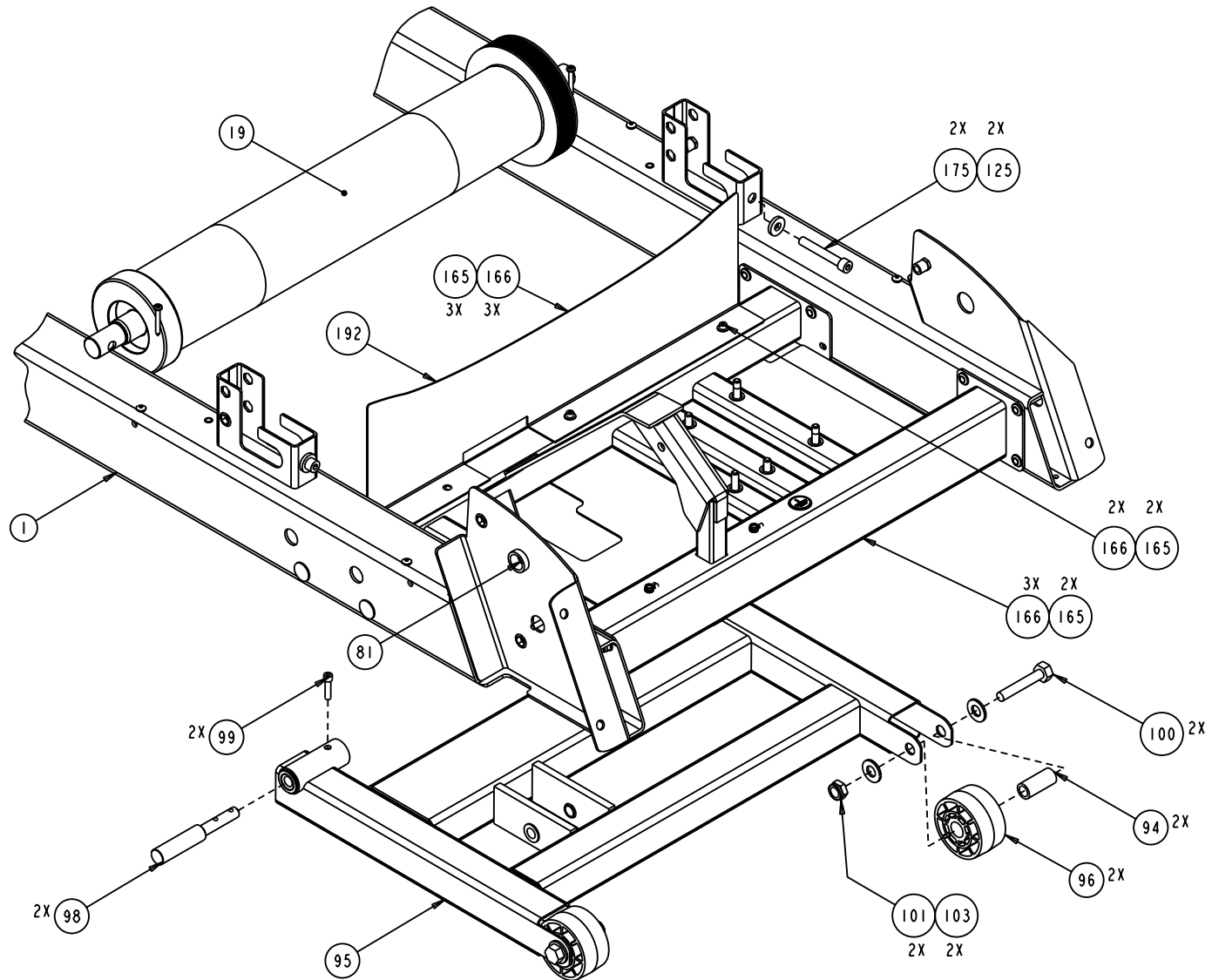
P/N: 47420-101

REV: F02

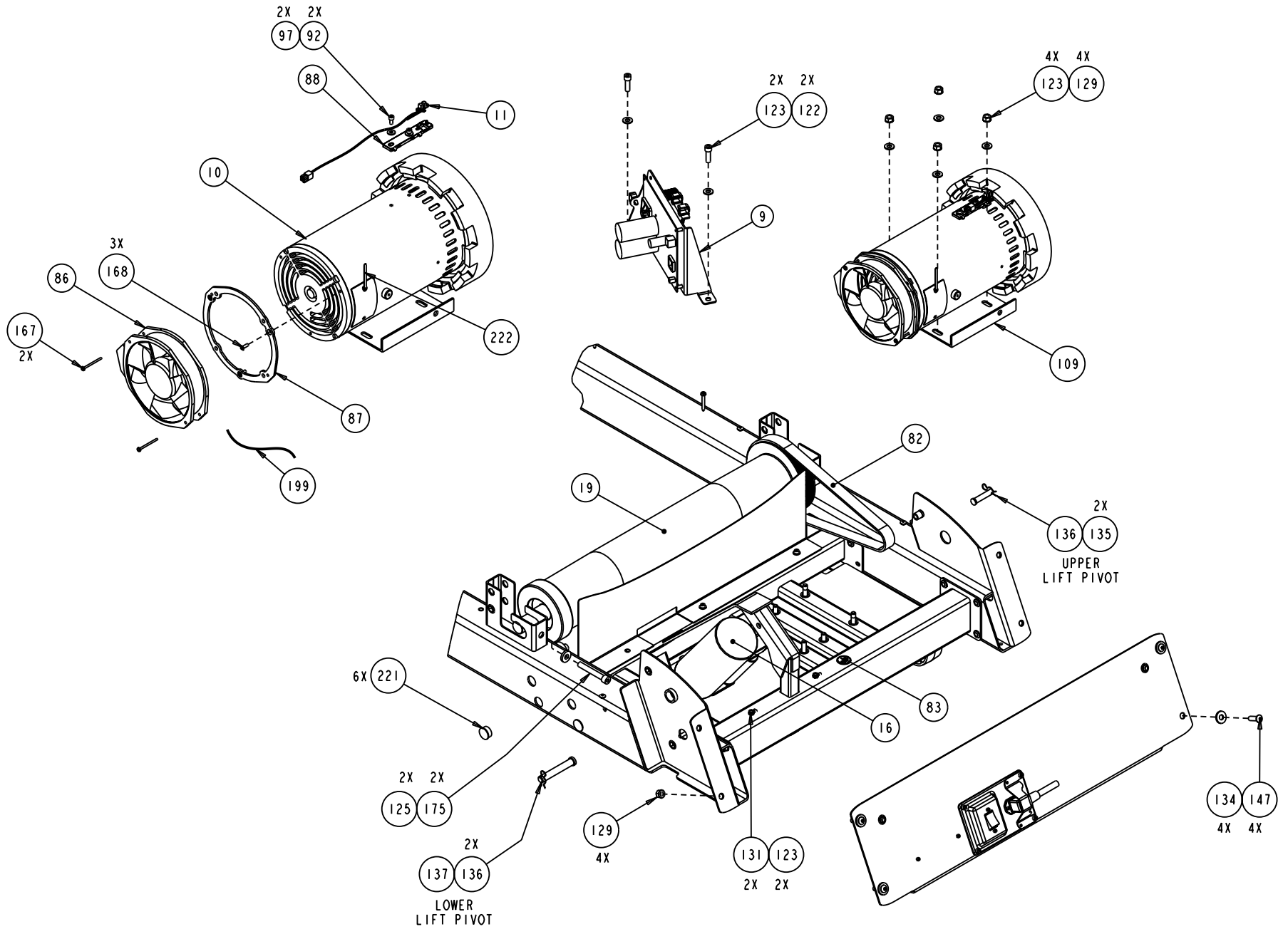
DRAWN BY: M.HAMILTON

DATE: 10.09.06

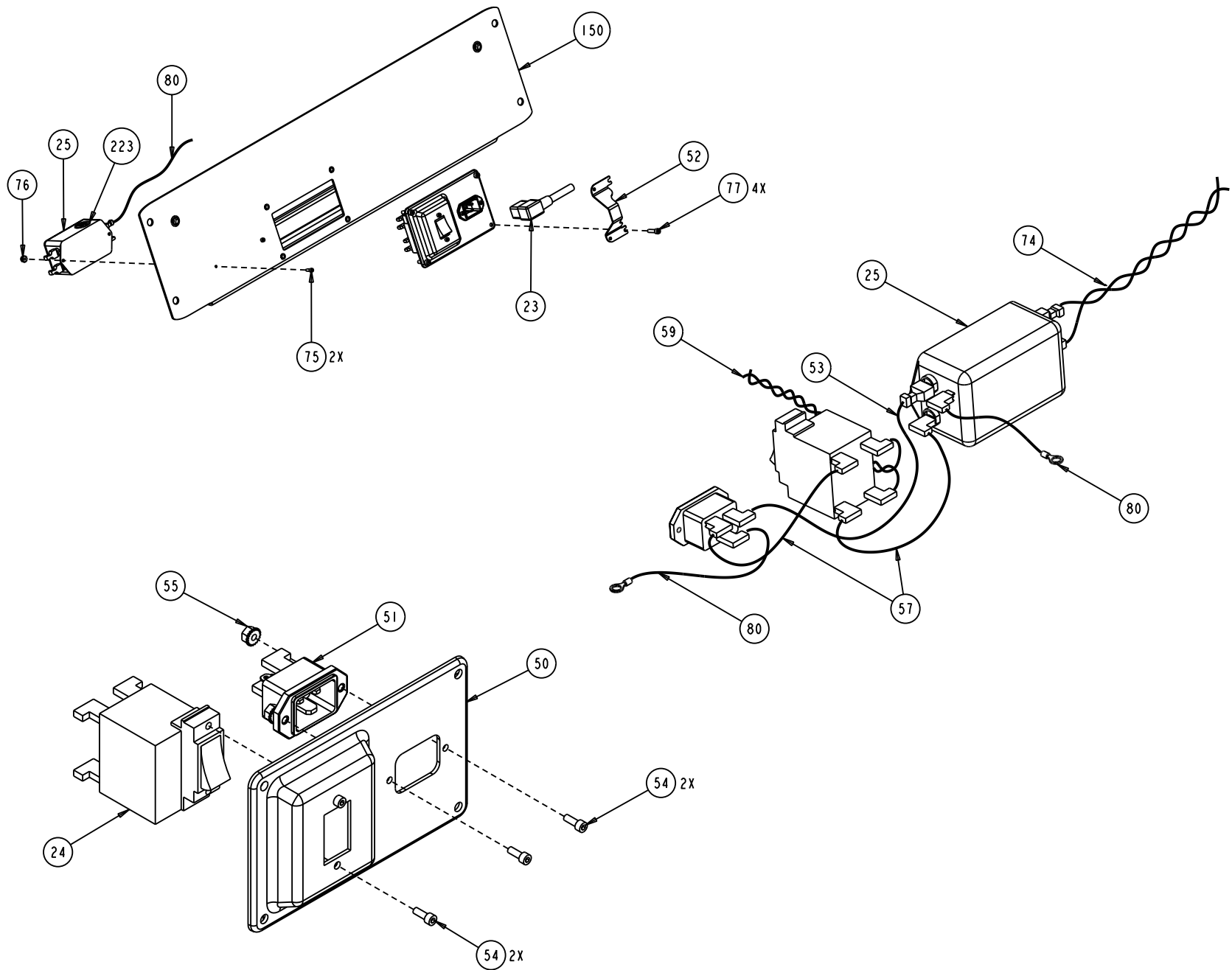
SHEET 1 OF 7



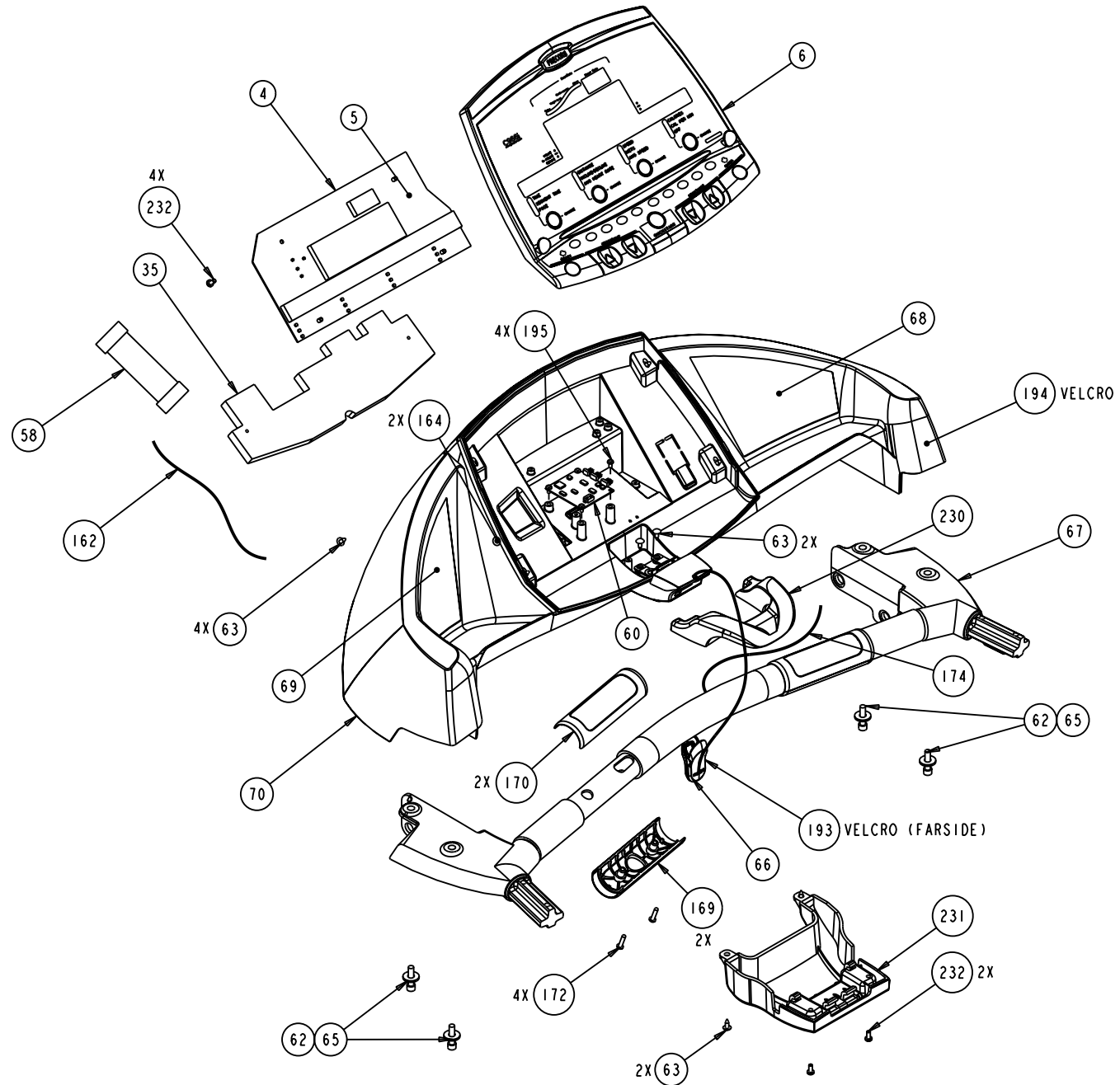
TREADMILL ASSEMBLY, C966i	P/N: 47420-101	REV: F02
DRAWN BY: M.HAMILTON	DATE: 10.09.06	SHEET 2 OF 7



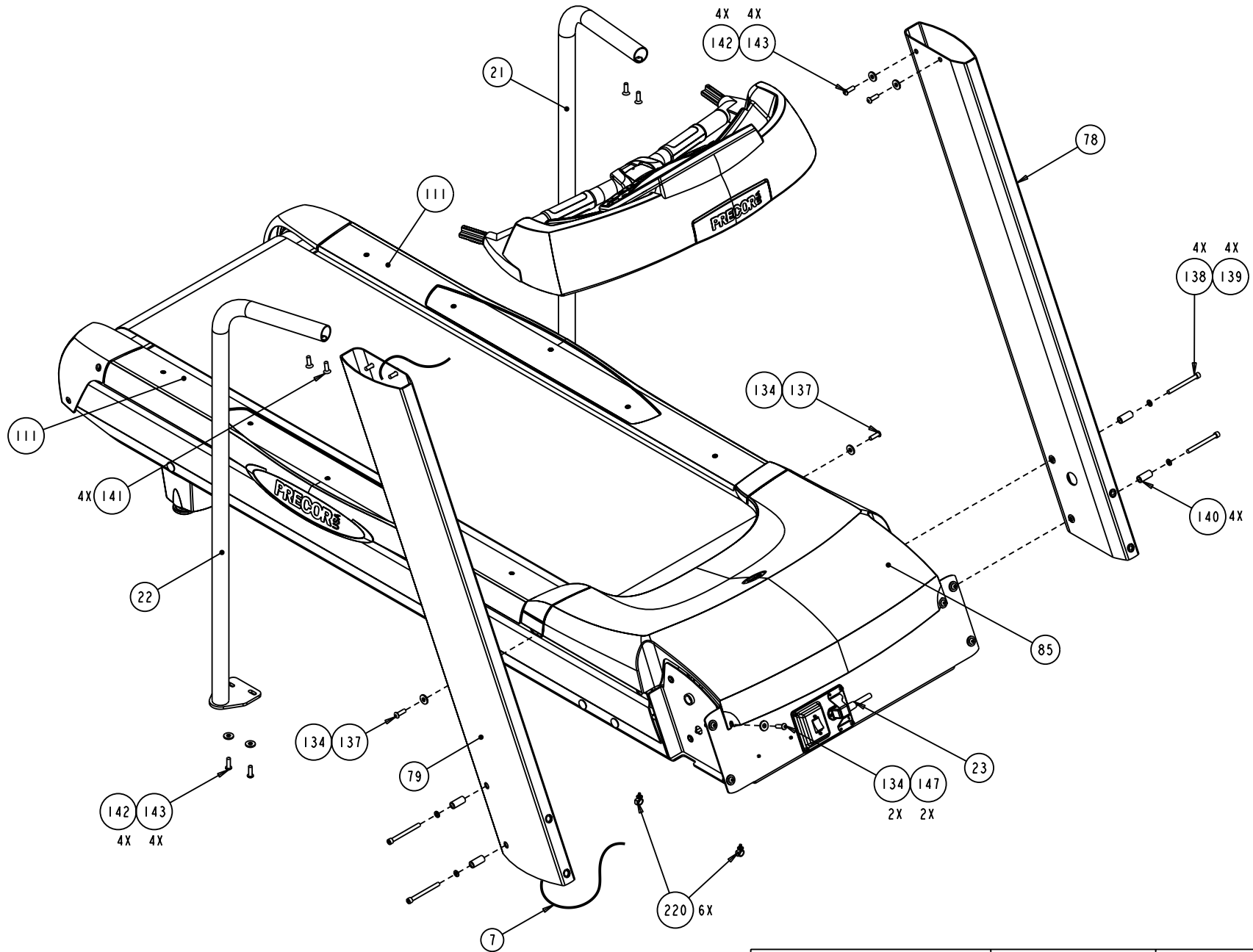
TREADMILL ASSEMBLY, C966i	P/N: 47420-101	REV: F02
DRAWN BY: M.HAMILTON	DATE: 10.09.06	SHEET 3 OF 7



TREADMILL ASSEMBLY, C966i	P/N: 47420-101	REV: F02
DRAWN BY: M.HAMILTON	DATE: 10.09.06	SHEET 5 OF 7



TREADMILL ASSEMBLY, C966i	P/N: 47420-101	REV: F02
DRAWN BY: M.HAMILTON	DATE: 10.09.06	SHEET 6 OF 7



TREADMILL ASSEMBLY, C966i	P/N: 47420-101	REV: F02
DRAWN BY: M.HAMILTON	DATE: 10.09.06	SHEET 7 OF 7